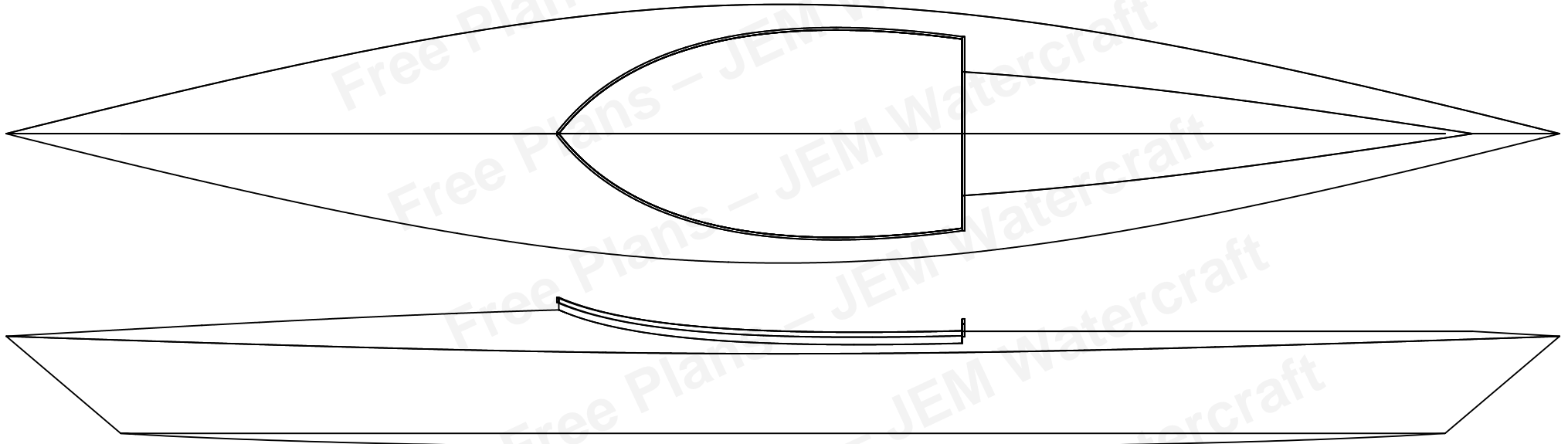
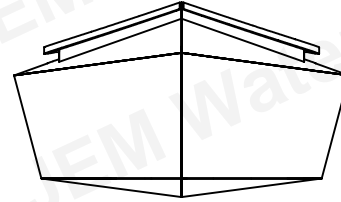


Free Plans – JEM Watercraft  
Free Plans – JEM Watercraft  
Free Plans – JEM Watercraft  
Free Plans – JEM Watercraft  
Free Plans – JEM Watercraft  
Free Plans – JEM Watercraft  
Free Plans – JEM Watercraft  
Free Plans – JEM Watercraft  
Free Plans – JEM Watercraft



## Laker 13 - Free Version

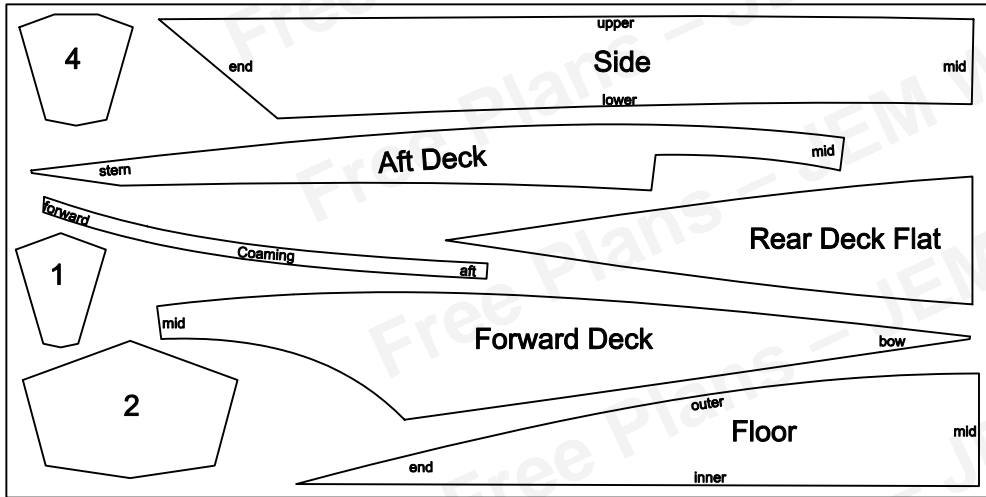
Length: 13' (4 m)

Max Beam: 26.5" (.67 m)

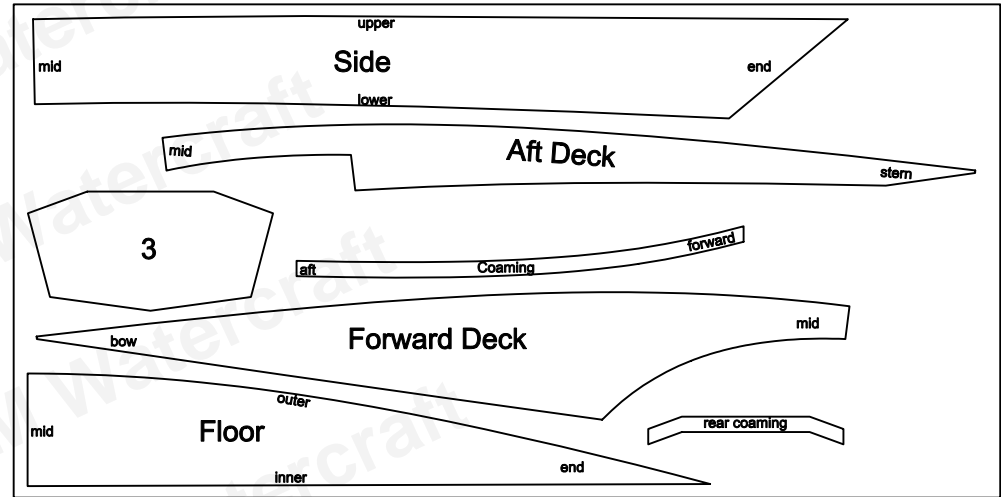
Est Hull Weight: 30-45 lbs (14-20 k)

Ideal Load on Board: 110-250 lbs (50-113 k)

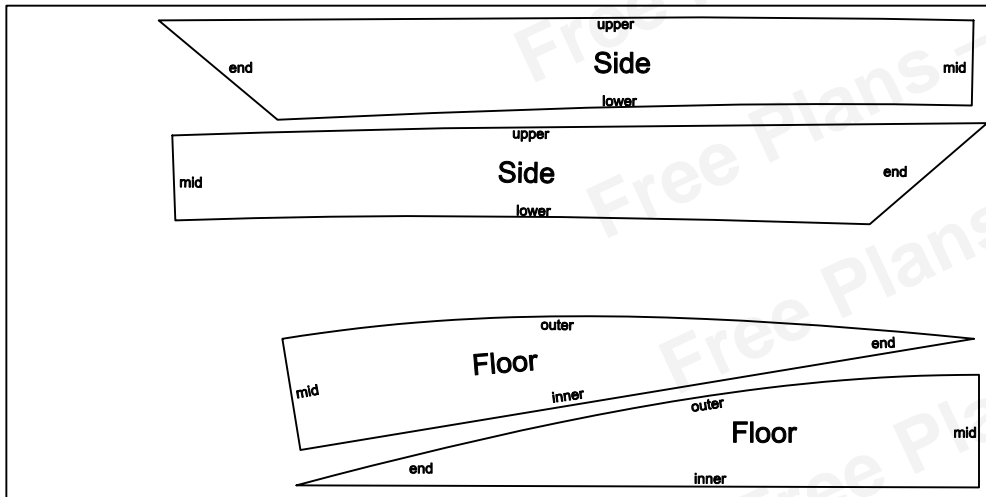
Sheet 1



Sheet 2

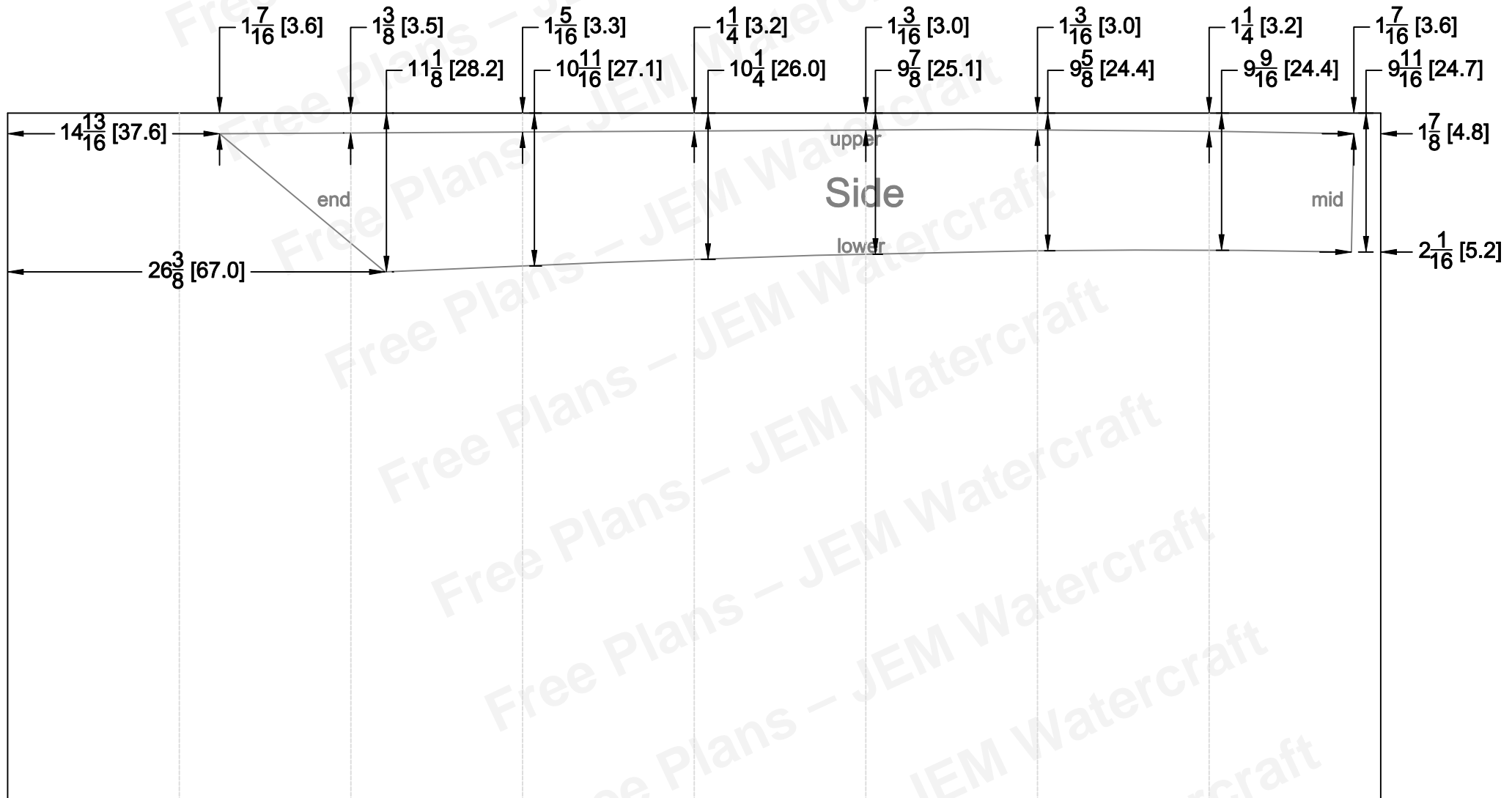


Sheet 3



<small>CONFIDENTIAL: This print, its specifications, and concepts may not be used, resold, reproduced, or distributed except as specifically directed by JEM Watercraft.</small>		
<b>Title</b>		<b>Laker - Free</b>
Revision	00 - 06/10/07	Drawing Number
Design By	Matt Langenfeld	<b>Nesting</b>

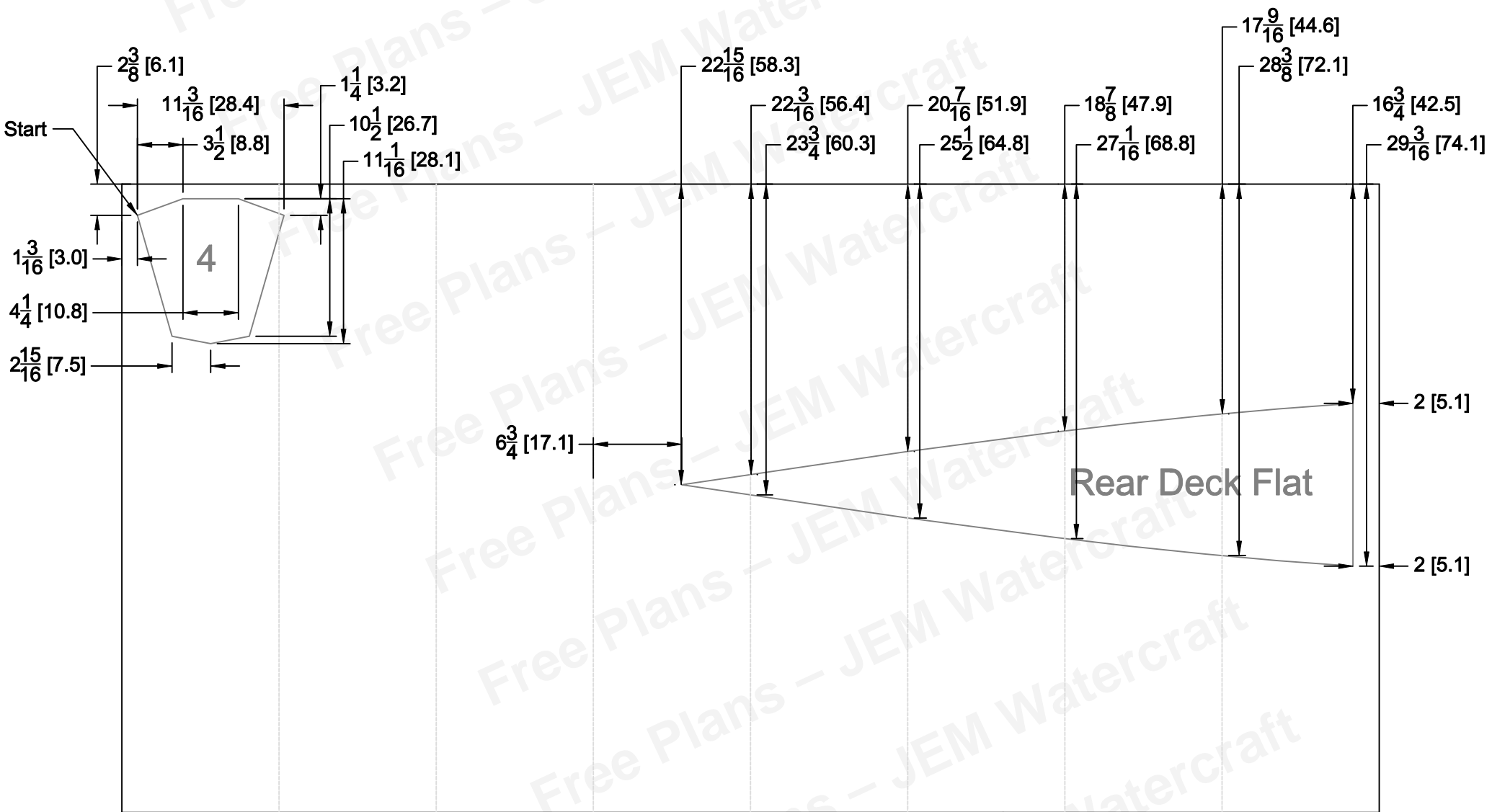




**CONFIDENTIAL:**  
This print, its specifications, and concepts may not be used, resold, reproduced, or distributed except as specifically directed by JEM Watercraft.

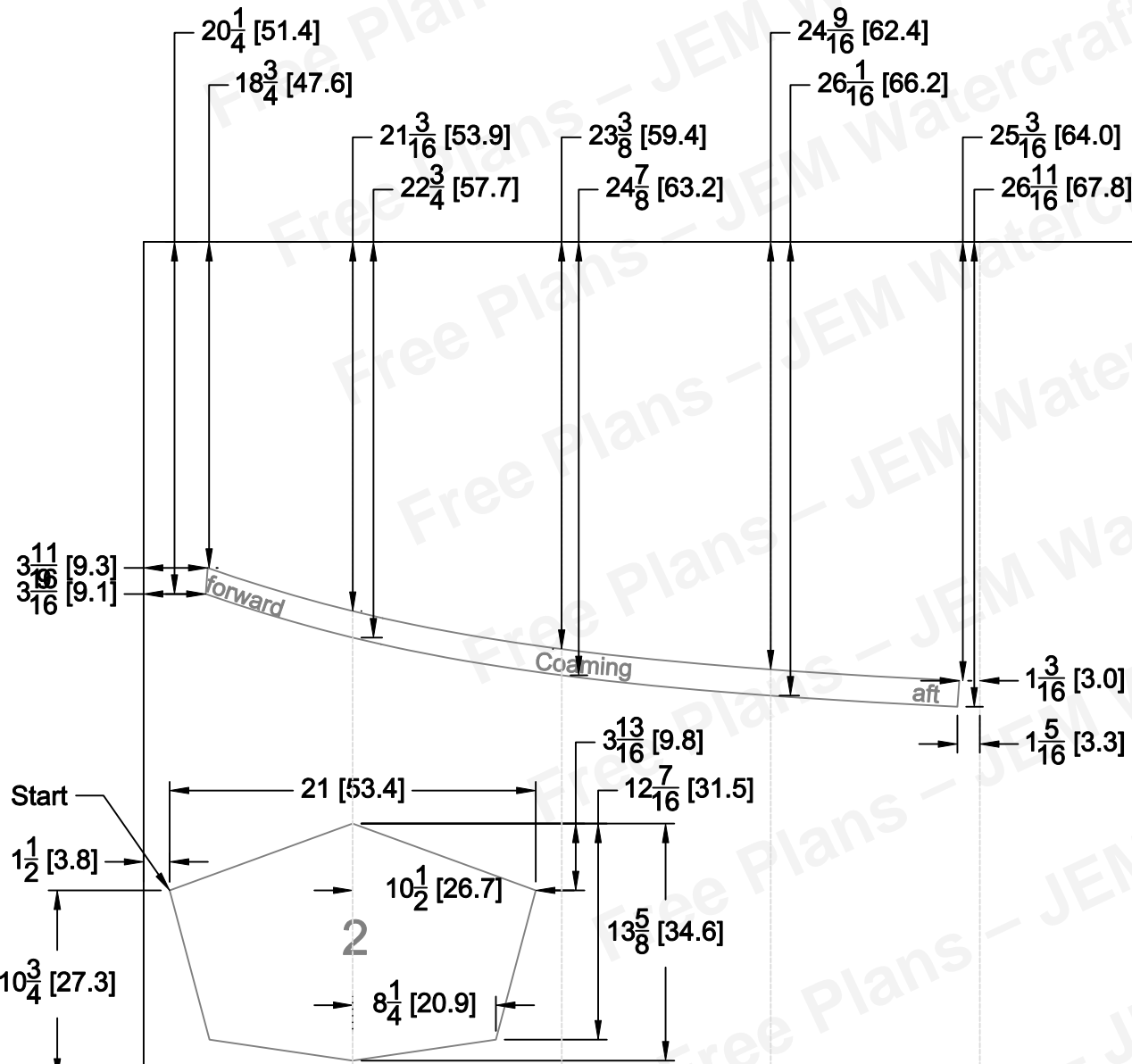
Title		<b>Laker - Free</b>	
Revision	00 - 06/10/07	Drawing Number	
Design By	Matt Langenfeld	<b>Sheet 1.1</b>	





CONFIDENTIAL:  
 This print, its specifications, and concepts may not be used, resold,  
 reproduced, or distributed except as specifically directed by JEM Watercraft.

Title		<b>Laker - Free</b>	
Revision	00 - 06/10/07	Drawing Number	<b>Sheet 1.3</b>
Design By	Matt Langenfeld		



CONFIDENTIAL: This print, its specifications, and concepts may not be used, resold, reproduced, or distributed except as specifically directed by JEM Watercraft.		
Title		<b>Laker - Free</b>
Revision	00 - 06/10/07	Drawing Number <b>Sheet 1.4</b>
Design By	Matt Langenfeld	

CONFIDENTIAL:

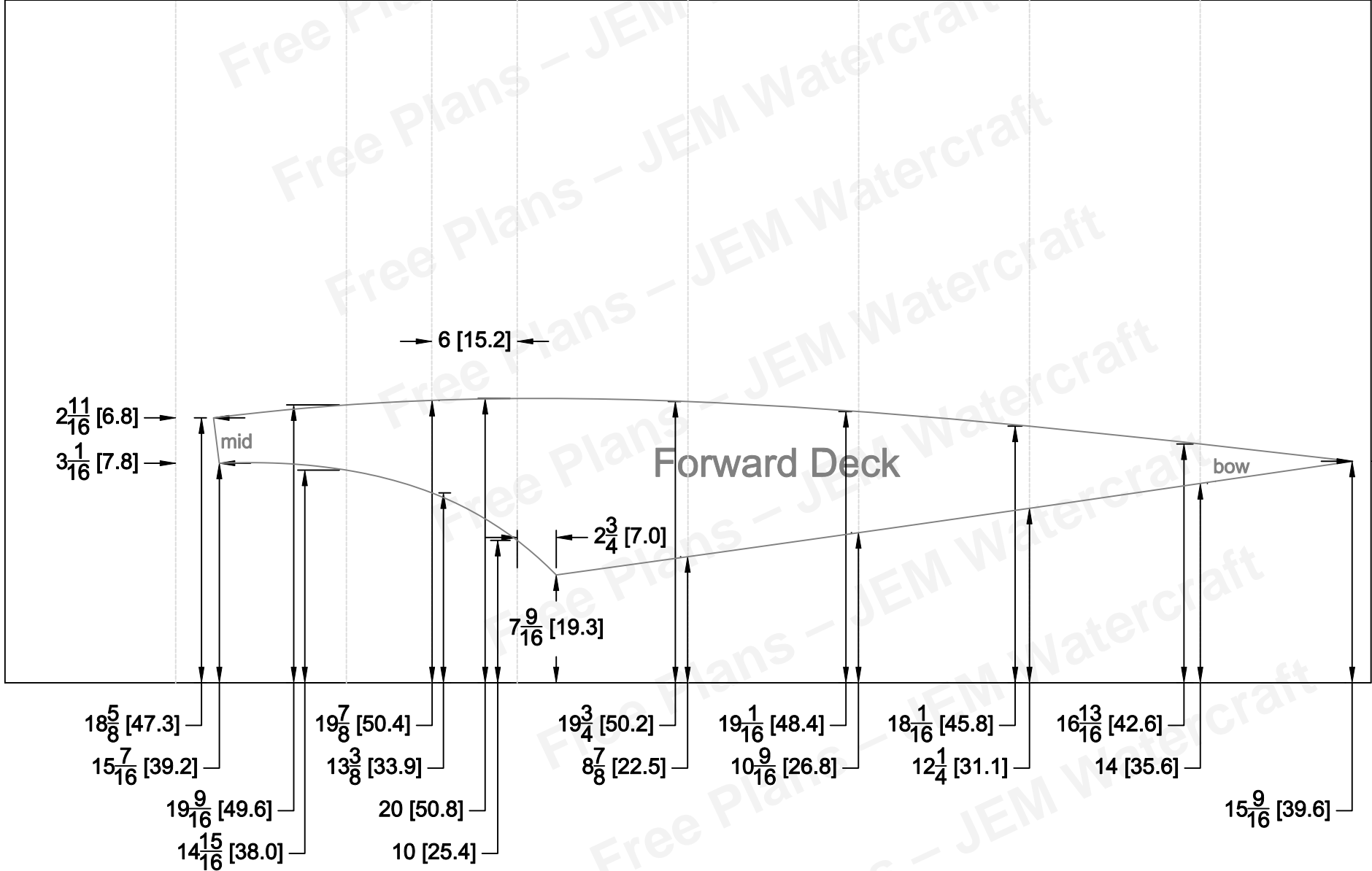
This print, its specifications, and concepts may not be used, resold, reproduced, or distributed except as specifically directed by JEM Watercraft.

Title **Laker - Free**

Revision 00 - 06/10/07

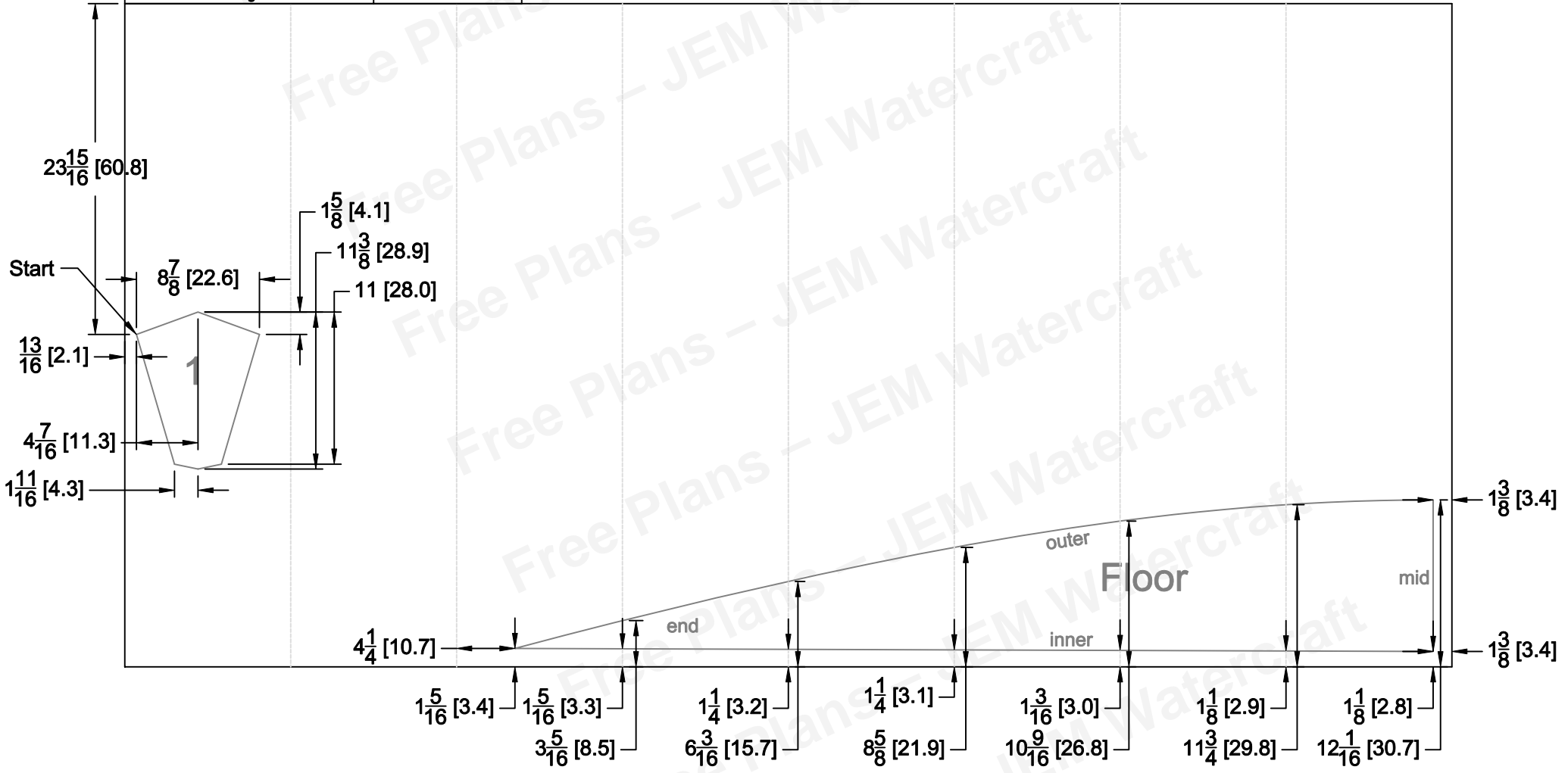
Drawing Number **Sheet 1.5**

Design By **Matt Langenfeld**

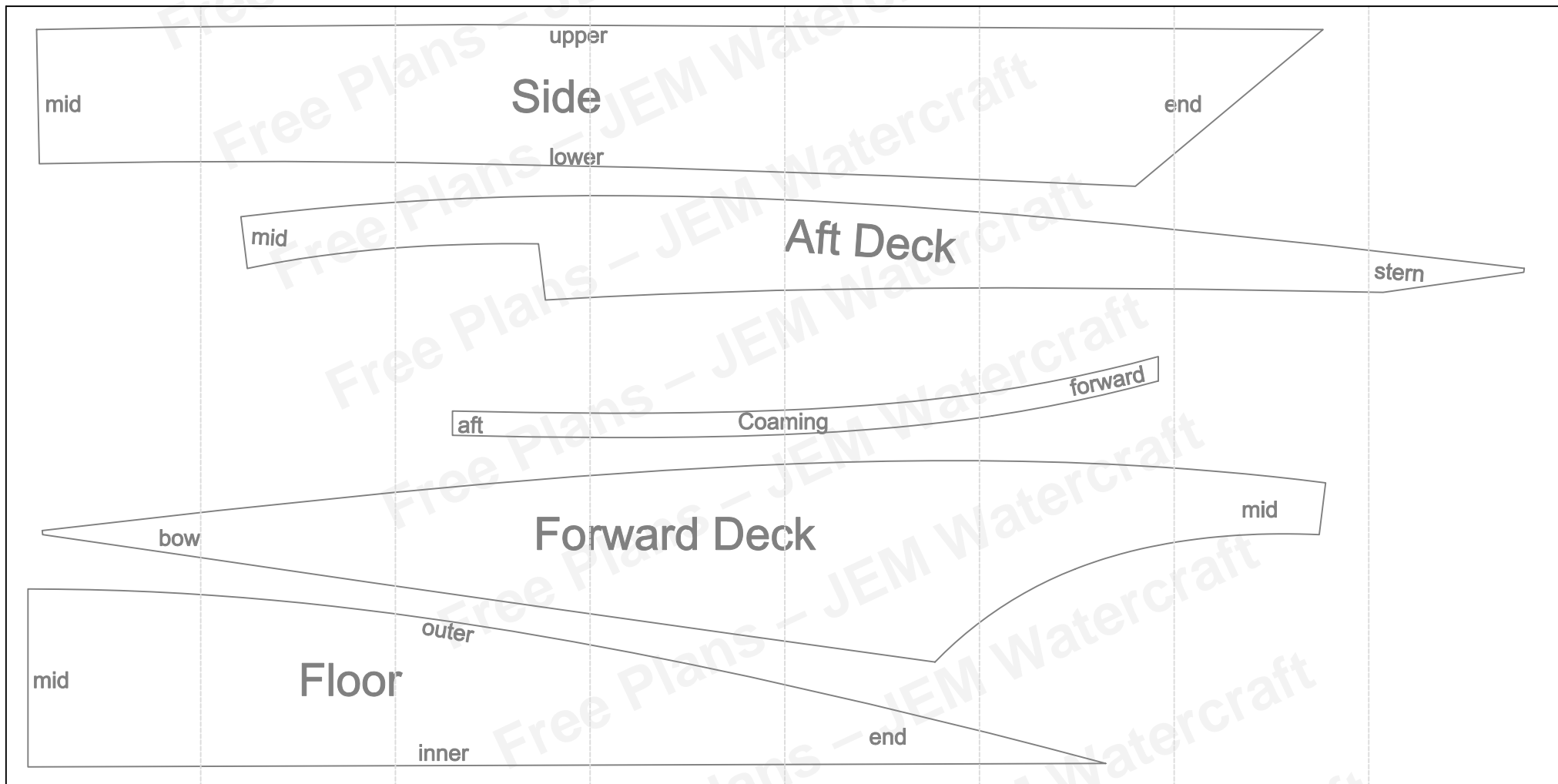




<p align="center"><b>CONFIDENTIAL:</b> This print, its specifications, and concepts may not be used, resold, reproduced, or distributed except as specifically directed by JEM Watercraft.</p>	
<p align="center"><b>Title</b> <b>Laker - Free</b></p>	
<p>Revision 00 - 06/10/07</p>	<p>Drawing Number <b>Sheet 1.6</b></p>
<p>Design By Matt Langenfeld</p>	







Use the panels drawn and cut from Sheet 1 as mirrored patterns to trace these copies.

<small>CONFIDENTIAL:</small> This print, its specifications, and concepts may not be used, resold, reproduced, or distributed except as specifically directed by JEM Watercraft.	
Title <b>Laker - Free</b>	
Revision <b>00 - 06/10/07</b>	Drawing Number <b>Sheet 2.2</b>
Design By <b>Matt Langenfeld</b>	

